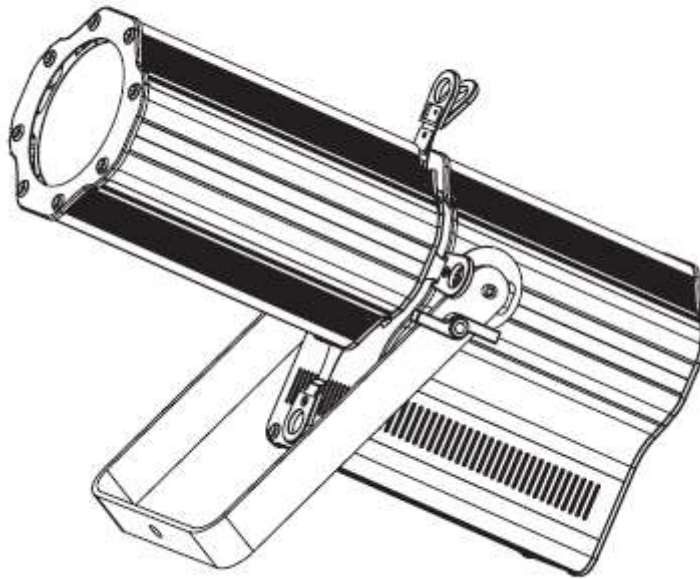




## ENCORE PROFILE 1000 WW



## *User Instructions*

A.D.J. Supply Europe B.V.  
Junostraat 2  
6468 EW Kerkrade  
The Netherlands  
[www.americandj.eu](http://www.americandj.eu)

©2013 ADJ Products, LLC all rights reserved. Information, specifications, diagrams, images, and instructions herein are subject to change without notice. ADJ Products, LLC logo and identifying product names and numbers herein are trademarks of ADJ Products, LLC. Copyright protection claimed includes all forms and matters of copyrightable materials and information now allowed by statutory or judicial law or hereinafter granted. Product names used in this document may be trademarks or registered trademarks of their respective companies and are hereby acknowledged. All non-ADJ Products, LLC brands and product names are trademarks or registered trademarks of their respective companies.

**ADJ Products, LLC** and all affiliated companies hereby disclaim any and all liabilities for property, equipment, building, and electrical damages, injuries to any persons, and direct or indirect economic loss associated with the use or reliance of any information contained within this document, and/or as a result of the improper, unsafe, insufficient and negligent assembly, installation, rigging, and operation of this product.

## Contents

INTRODUCTION.....	4
FEATURES.....	4
INSTALLATION.....	4
SAFETY PRECAUTIONS .....	5
DMX SET UP .....	5
OPERATING INSTRUCTIONS .....	7
FOCUS AND ZOOM ADJUSTMENTS.....	9
MASTER-SLAVE CONFIGURATION.....	9
GOBO INSTALL .....	9
ADJ LED RC2 OPERATION.....	10
UC IR & AIRSTREAM IR FUNCTIONS.....	11
1 CHANNEL MODE .....	11
2 CHANNEL MODE .....	11
3 CHANNEL MODE .....	11
CAD DRAWING.....	12
PHOTOMETRIC CHART .....	12
DIMMER CURVE CHART .....	12
POWER CORD DAISY CHAIN.....	13
FUSE REPLACEMENT .....	13
TROUBLE SHOOTING.....	13
CLEANING.....	13
SPECIFICATIONS.....	13
ROHS - A great Contribution to the Conservation of Environment.....	14
WEEE – Waste of Electrical and Electronic Equipment .....	15

## INTRODUCTION

**Unpacking:** Thank you for purchasing the Encore Profile 1000 WW by ADJ Products, LLC. Every Encore Profile 1000 WW has been thoroughly tested and has been shipped in perfect operating condition. Carefully check the shipping carton for damage that may have occurred during shipping. If the carton appears to be damaged, carefully inspect your fixture for any damage and be sure all accessories necessary to operate the unit has arrived intact. In the case damage has been found or parts are missing, please contact our toll free customer support number for further instructions. Do not return this unit to your dealer without first contacting customer support.

**Introduction:** The ADJ Encore Profile 1000 WW is a DMX intelligent, high powered LED follow spot. This follow spot has three operating modes: white dimmer mode, fade mode, and DMX control mode. This fixture can be used in a stand alone mode or connected in a Master/Slave configuration. To optimize the performance of this product, please read these operating instructions carefully to familiarize yourself with the basic operations of this unit. These instructions contain important safety information regarding the use and maintenance of this unit. Please keep this manual with the unit, for future reference.

**Customer Support:** If you encounter any problems, please contact your trusted American Audio shop. We also offer the possibility, to contact us directly: You can contact us via our website [www.americandj.eu](http://www.americandj.eu) or via email: [support@americandj.eu](mailto:support@americandj.eu)

**Warning!** To prevent or reduce the risk of electrical shock or fire, do not expose this unit to rain or moisture.

**Caution!** There are no user serviceable parts inside this unit. Do not attempt any repairs yourself, doing so will void your manufactures warranty. In the unlikely event your unit may require service please contact ADJ Products, LLC.

**PLEASE recycle the shipping carton when ever possible.**

## FEATURES

- Three Operating Modes
- Electronic Dimming 0-100%
- 5 Selectable Dimming Curves
- 4 Included Gobos
- DMX-512 protocol
- 3-Pin & 5-Pin DMX Connections
- 3 DMX Modes: 1 Channel Mode, 2 Channel Mode, & 3 Channel Mode.
- ADJ LED RC2, ADJ UC IR, (Not Included) & Airstream IR compatible
- Power Cord Daisy Chain (See page 13)

## INSTALLATION

The unit should be mounted using a mounting clamp (not provided), affixing it to the mounting bracket that is provided with the unit. Always ensure that the unit is firmly fixed to avoid vibration and slipping while operating. Always ensure that the structure to which you are attaching the unit is secure and is able to support a weight of 10 times the unit's weight. Also always use a safety cable that can hold 12 times the weight of the unit when installing the fixture.

The equipment must be installed by a professional, and it must be installed in a place where it is out of the reach of people's grasp.

## SAFETY PRECAUTIONS

- To reduce the risk of electrical shock or fire, do not expose this unit rain or moisture
- Do not spill water or other liquids into or on to your unit.
- Do not attempt to operate this unit if the power cord has been frayed or broken. Do not attempt to remove or break off the ground prong from the electrical cord. This prong is used to reduce the risk of electrical shock and fire in case of an internal short.
- Disconnect from main power before making any type of connection.
- Do not remove the cover under any conditions. There are no user serviceable parts inside.
- Never operate this unit when it's cover is removed.
- Never plug this unit in to a dimmer pack
- Always be sure to mount this unit in an area that will allow proper ventilation. Allow about 6" (15cm) between this device and a wall.
- Do not attempt to operate this unit, if it becomes damaged.
- This unit is intended for indoor use only, use of this product outdoors voids all warranties.
- During long periods of non-use, disconnect the unit's main power.
- Always mount this unit in safe and stable matter.
- Power-supply cords should be routed so that they are not likely to be walked on or pinched by items placed upon or against them, paying particular attention to the point they exit from the unit.
- Cleaning -The fixture should be cleaned only as recommended by the manufacturer. See page 13 for cleaning details.
- Heat -The appliance should be situated away from heat sources such as radiators, heat registers, stoves, or other appliances (including amplifiers) that produce heat.
- The fixture should be serviced by qualified service personnel when:
  - A. The power-supply cord or the plug has been damaged.
  - B. Objects have fallen, or liquid has been spilled into the appliance.
  - C. The appliance has been exposed to rain or water.
  - D. The appliance does not appear to operate normally or exhibits a marked change in performance.

## DMX SET UP

**Power Supply:** The ADJ Encore Profile 1000 WW contains an automatic voltage switch, which will auto sense the voltage when it is plugged into the power source. With this switch there is no need to worry about the correct power voltage, this unit can be plugged in anywhere.

**DMX-512:** DMX is short for Digital Multiplex. This is a universal protocol used as a form of communication between intelligent fixtures and controllers. A DMX controller sends DMX data instructions from the controller to the fixture. DMX data is sent as serial data that travels from fixture to fixture via the DATA "IN" and DATA "OUT" XLR terminals located on all DMX fixtures (most controllers only have a DATA "OUT" terminal).

**DMX Linking:** DMX is a language allowing all makes and models of different manufactures to be linked together and operate from a single controller, as long as all fixtures and the controller are DMX compliant. To ensure proper DMX data transmission, when using several DMX fixtures try to use the shortest cable path possible. The order in which fixtures are connected in a DMX line does not influence the DMX addressing. For example; a fixture assigned a DMX address of 1 may be placed anywhere in a DMX line, at the beginning, at the end, or anywhere in the middle. When a fixture is assigned a DMX address of 1, the DMX controller knows to send DATA assigned to address 1 to that unit, no matter where it is located in the DMX chain.

**Data Cable (DMX Cable) Requirements (For DMX Operation):** The Encore Profile 1000 WW can be controlled via DMX-512 protocol. The Encore Profile 1000 WW has 3 DMX modes, please see page 7 for the different modes. The DMX address is set on the back panel of the Encore Profile 1000 WW. Your unit and your DMX controller require a standard 3-pin or 5-pin XLR connector for data input and data output (Figure 1). We recommend Accu-Cable DMX cables. If you are making your own cables, be sure to use standard 110-120 Ohm shielded cable (This cable may be purchased at almost all pro



Figure 1

## DMX SET UP (continued)

lighting stores). Your cables should be made with a male and female XLR connector on either end of the cable. Also remember that DMX cable must be daisy chained and cannot be split.

**Notice:** Be sure to follow figures two and three when making your own cables. Do not use the ground lug on the XLR connector. Do not connect the cable's shield conductor to the ground lug or allow the shield conductor to come in contact with the XLR's outer casing. Grounding the shield could cause a short circuit and erratic behavior.



Figure 2



Figure 3

XLR Pin Configuration
Pin1 = Ground
Pin2 = Data Compliment (negative)
Pin3 = Data True (positive)

**Special Note: Line Termination.** When longer runs of cable are used, you may need to use a terminator on the last unit to avoid erratic behavior. A terminator is a 110-120 ohm 1/4 watt resistor which is connected between pins 2 and 3 of a male XLR connector (DATA + and DATA -). This unit is inserted in the female XLR connector of the last unit in your daisy chain to terminate the line. Using a cable terminator (ADJ part number Z-DMX/T) will decrease the possibilities of erratic behavior.



Termination reduces signal errors and avoids signal transmission problems and interference. It is always advisable to connect a DMX terminal, (Resistance 120 Ohm 1/4 W) between PIN 2 (DMX-) and PIN 3 (DMX +) of the last fixture.

Figure 4

**5-Pin XLR DMX Connectors.** Some manufactures use 5-pin DMX-512 data cables for DATA transmission in place of 3-pin. 5-pin DMX fixtures may be implemented in a 3-pin DMX line. When inserting standard 5-pin data cables in to a 3-pin line a cable adaptor must be used, these adaptors are readily available at most electric stores. The chart below details a proper cable conversion.

3-Pin XLR to 5-Pin XLR Conversion		
Conductor	3-pin XLR Female (Out)	5-pin XLR Male (In)
Ground/Shield	Pin 1	Pin 1
Data compliment (- signal)	Pin 2	Pin 2
Data True (+ signal)	Pin 3	Pin 3
Not used		Do Not Use
Not used		Do Not Use

## OPERATING INSTRUCTIONS

### **LCD Backlight On/Off:**

To set the LCD backlight to turn off after 20 seconds, press the MODE button until "OTHER" is displayed, press the SET UP button until "OTHER BLGT:XX" is displayed. "XX" represents the current state. Press the UP or DOWN buttons to set the backlight to turn "OFF" after 20 seconds or "ON" to stay on at all times.

### **Operating Modes:**

The Encore Profile 1000 WW has three operating modes:

- Dimmer Mode - Adjust the intensity of the white color.
- Fade Mode - The unit will fade in and out.
- DMX control mode - This function will allow you to control each individual fixtures traits with a standard DMX 512 controller.

### **Dimmer Mode:**

1. Plug the fixture in and press the MODE button until "MANUAL WHIT:XXX" is displayed.
2. Press the UP and DOWN buttons to adjust intensity.
3. After you have adjusted the output intensity you can then activate strobing by pressing the SET UP button to enter strobing.
4. "STRO" will be displayed, this is strobing mode. The strobing can be adjusted between "00" (strobing off) to "15" (fastest strobing).

### **DMX Mode:**

Operating through a DMX controller gives the user the freedom to create their own programs tailored to their own individual needs. The Encore Profile 1000 WW has 3 DMX modes: 1 channel mode, 2 channel mode, and 3 channel mode. See page 11 for each mode's DMX traits.

1. This function will allow you to control each individual fixture's traits with a standard DMX 512 controller.
2. To run your fixture in DMX mode press the MODE button until "DMX MODE ADDR:XXX" is displayed. "XXX" represents the current displayed DMX address. Use the UP or DOWN buttons to select your desired DMX address, then press the SETUP button to select your DMX Channel mode.
3. Use the UP or DOWN buttons to scroll through the DMX Channel modes. The Channel modes are listed below:
  - "CHAN: 01" is 1 Channel DMX Mode.
  - "CHAN: 02" is 2 Channel DMX Mode.
  - "CHAN: 03" is 3 Channel DMX Mode.
4. Please see page 11 for DMX values and traits.
5. After you have chosen your desired DMX Channel mode plug in the fixture via the XLR connections to any standard DMX controller.

### **Fade Mode:**

1. Plug the fixture in and press the MODE button until "FADE RUN SPEED:XX" is displayed. "XX" represents a number between 01-16.
2. Use the UP and DOWN buttons to find your desired color fade mode.
3. Press the SET UP button and "SPEED:XX" will be displayed. Use the UP and DOWN buttons to adjust the speed of the color fade.

### **System Reset:**

This will return the fixture to its factory settings.

1. Plug the fixture in and press the MODE button until "OTHER MODE" is displayed.
2. Press the SET UP button until "SYSRESET" is displayed.
3. Press the UP and DOWN buttons simultaneously to reset or press the MODE button to exit.

### **Dimmer Curve:**

This is used to set the dimming curve used with DMX mode. See page 12 for the different dimming curves.

1. Plug the fixture in and press the MODE button until "DMX MODE ADDR:XXX" is displayed.
2. Press the SET UP button until "DELAY:X" is displayed. "X" represents the displayed dimmer curve (0-4).
  - 0 - Standard
  - 1 - Stage

- 2 - TV
- 3 - Architectural
- 4 - Theatre

3. Press the UP or DOWN buttons to scroll through and select your desired dimming curve.

**DMX State:**

This mode can be used as a precaution mode, that in case the DMX signal is lost, the operating mode chosen in the setup is the running mode the fixture will go into when the DMX signal is lost. You can also set this as the operating mode you would like the unit to return to when power is applied.

1. Plug the fixture in and press the MODE button until "DMX MODE ADDR:XXX" is displayed.
2. Press the SET UP button until "DMX MODE NO" is displayed. The current DMX state will be displayed.
  - "BLACK" (Blackout) - If the DMX signal is lost or interrupted, the unit will automatically go into stand by mode.
  - "HOLD" (Last State) - If the DMX signal is lost or interrupted, the fixture will stay in the last DMX set up.
  - "AUTO" (Auto Run) - If the DMX signal is lost or interrupted, the unit will automatically go into Auto Run mode.
3. Press the UP or DOWN buttons to scroll through and select your desired DMX state.

**IR Receiver On/Off:**

This function is used to activate and deactivate the infrared sensor. When this function is activated you can control the fixture using the ADJ LED RC2 (sold separately), UC IR (sold separately), and Airstream IR app. Please see pages 10-11 for remote controls and functions. To control the Encore Profile 1000 WW, plug the included IR receiver into IR receiver input located on the rear of the controller. You must aim the remote at the IR sensor and be no more the 30 feet away.

1. Plug the fixture in and press the MODE button until "OTHER MODE" is displayed.
2. Press the SET UP button until "IR: XX" is displayed.
3. Press the UP or DOWN buttons to either activate the remote function (On) or deactivate it (Off).

**Gamma:**

This feature is predominately used when shooting video. Adjust the gamma setting to clean up any lines that might be seen on camera.

1. Plug the fixture in and press the MODE button until "GAMMA" is displayed. The current gamma setting will be displayed.
2. Use the UP and DOWN buttons to switch the gamma setting.

**Refresh Rate:**

This feature is predominately used when shooting video. Adjust the frequency setting to clear up any LED flicker that might be seen on camera.

1. Plug the fixture in and press the MODE button until "FREQUENC" is displayed. The current frequency setting will be displayed.
2. Use the UP and DOWN buttons to switch the frequency setting.

**PCB Temperature:**

This will check the current temperature of unit as well as switch between fahrenheit and celsius.

1. Plug the fixture in and press the MODE button until "OTHER MODE" is displayed.
2. Press the SET UP button until "TEM:XXXX" is displayed.
3. Use the UP and DOWN buttons to switch between fahrenheit and celsius.



## FOCUS AND ZOOM ADJUSTMENTS

The knobs located on the right side of unit are used to adjust the focus and the zoom. For a tighter/narrow beam move the first/front knob to the front of the fixture, and move the second knob to rear. For a wider beam, move the first/front knob towards the middle of the fixture, and move the second knob towards the middle as well. Adjust accordingly.

## MASTER-SLAVE CONFIGURATION

### ***Master-Slave Configuration:***

This function will allow you to link units together to run in a Master-Slave setup. In a Master-Slave set up one unit will act as the controlling unit and the others will react to the controlling units built-in programs. Any unit can act as a Master or as a Slave however, only one unit can be programmed to act as the “Master.”

### ***Master-Slave Connections and Settings:***

1. Daisy chain your units via the XLR connector on the rear of the unit. Use standard XLR data cables to link your units together. Remember that the Male XLR connector is the input and the Female XLR connector is the output. The first unit in the chain (master) will use the female XLR connector only. The last unit in the chain will use the male XLR connector only.
2. Set the “Master” unit to your desired mode of operation.
3. On the “Slave” units press the MODE button until “Slave Mode” is displayed. The unit is now set as the “Slave” unit. Each slave unit must be set to the same setting.
4. Connect the first “Slave” unit to the “Master”, and the “Slave” unit should now start to follow the “Master”.

## GOBO INSTALL

The Encore Profile 1000 WW comes with 4 replaceable gobos (see below). To install a gobo, unscrew and remove the phillips screw located at the bottom of the gobo holder. Gently lift part of the gobo holder side up and carefully slide the gobo into place. Reinstall the phillips and screw and tighten. Slide the gobo holder into the slot located at the top of the unit in front of the framing lever.



## ADJ LED RC2 OPERATION

The **ADJ LED RC2** infrared remote (sold separately) has many different functions to control your Encore Profile 1000 WW. To control the fixture you must aim the controller at the infrared sensor and be no more the 30 feet away. To use the ADJ LED RC2 you must first activate the fixtures infrared sensor, to activate the sensor please see the instructions on page 8.

**BLACKOUT** - Pressing this button will blackout the fixture.

**SELECT PROG** - Pressing this button will activate fade mode. Press the “+” or “-” buttons to adjust the running speed.

**FLASH** - This button will activate the strobe effect. You can control the flash rate by pressing the “+” and “-” buttons. Press the White button again to exit strobing mode.

**SPEED** - This button is invalid for this fixture.

**DMX MODE** - This button will cycle between DMX addressing, DMX channel mode, and dimmer curve selection. Some fixtures will come with different DMX channel modes. This button will switch between the different modes. Please see page 11 for DMX modes, values, and traits.

**SLAVE/SOUND ACTIVE** - This designates the fixture as a slave fixture in a master/slave configuration. Sound activity is invalid for this fixture.

**SET ADDRESS** - Press this button to set the DMX address. Press this button first, then press the numbers to set the address. If the address is correctly set, the LED will flash and the unit will automatically go into DMX mode.

**Example:**     **Set DMX Address 1 Press “S-0-0-1”**  
                  **Set DMX Address 245 Press “S-2-4-5”**

**R G B W** - Buttons R G B are invalide for this fixture. Press White button and the use the “+” or “-” to adjust the output intensity. Press the FLASH button to activate strobing and use the “+” or “-” to adjust the flash speed.

**“+” and “-”** - These buttons adjust the flash rate, speed of the fade mode, and output intensity.

### **DMX Mode:**

Operating through a DMX controller gives the user the freedom to create their own programs tailored to their own individual needs. Follow the directions below to set your DMX address, DMX channel mode, and dimmer curve mode.

1. Before connecting to a DMX controller, your fixture has different DMX channel modes, please select your desired mode by pressing the DMX Mode button, and use the “+” or “-” buttons to scroll through the DMX channel modes. Set the mode before you address the fixture. See below for the different DMX modes.

2. Press this button again to enter dimmer curve selection and use the “+” or “-” buttons to scroll through the dimmer curve modes.

3. After you have selected your mode, set the DMX address for the fixture by pressing the “S” button. When the “S” button is pressed the LED’s will flash 2-3 times. Use the number buttons to press in your desired address. See **“SET ADDRESS”** on page 10 for examples.

**Note:** When setting the DMX address each time a number is pressed a LED color will flash, when you have set the DMX address correctly all LED’s will flash 2-3 times.

4. Now you may connect the fixture via the XLR connections to any standard DMX controller. Please see page 11 to for a detailed descriptions of the DMX modes, values, and traits.

- **If the White LED flashes 1 time you are in 1 Channel Mode.**
- **If the White LED flashes 2 times you are in 2 Channel Mode.**
- **If the White LED flashes 3 times you are in 3 Channel Mode.**

## UC IR & AIRSTREAM IR FUNCTIONS

The **UC IR (sold separately)** infrared remote gives you control of various functions (See below). To control the fixture you must aim the remote at the front of the fixture and be no more than 30 feet away.

The Encore Profile 1000 WW comes with the **Airstream IR** remote transmitter. The transmitter plugs into the headphone jack of your iOS phone or tablet. To control your IR fixture you must raise the volume to the maximum on your iOS phone or tablet and aim the transmitter at the front of the fixture and be no more than 15 feet away. After you have purchased the Airstream IR transmitters, the app is a free download from the app store for your iOS phone or tablet. The app comes with 3 pages of control depending on the IR fixture you are using. Please see below for IR functions including the corresponding app page. To use either of these means of control you must first activate the fixtures infrared sensor. To activate the sensor please see the instructions on page 8.

### Works with App page 1.

**STAND BY** - Pressing this button will blackout the fixture. Press the button again to return to the initial state.

**FULL ON** - Hold this button down to fully light up the unit. When you let the button go, the unit will return to its previous state.

**FADE/GOBO** - Press this button activate fade mode.

**“DIMMER +” and “DIMMER -”** - Use these buttons to output intensity when in dimmer mode.

**STROBE** - Press this button for strobing.

**COLOR** - Press this button to activate dimmer mode. Use the “DIMMER+” and “DIMMER-” to scroll through the colors.

**1-9** - These buttons are invalid for this fixture

**SHOW 0** - This button is not valid for this fixture.

### 1 CHANNEL MODE

Channel	Value	Function
1	0 - 255	WHITE 0% - 100%

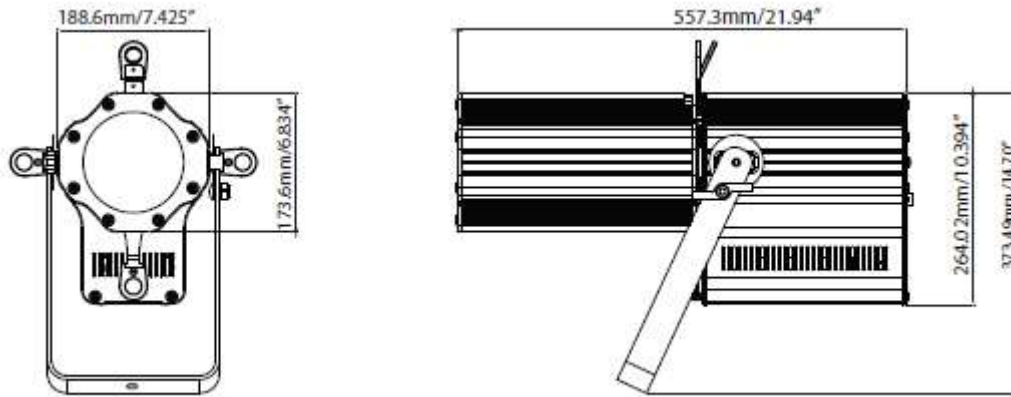
### 2 CHANNEL MODE

Channel	Value	Function
1	0 - 255	WHITE 0% - 100%
2	0 - 255	MASTER DIMMER 0% - 100%

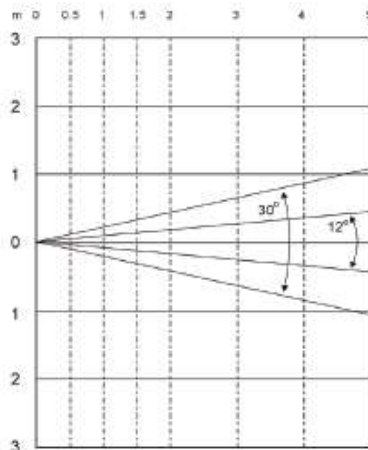
### 3 CHANNEL MODE

Channel	Value	Function
1	0 - 255	WHITE 0% - 100%
2	0 - 255	MASTER DIMMER 0% - 100%
3	0 - 15 16 - 255	STROBING NO FUNCTION STROBING SLOW - FAST

## CAD DRAWING



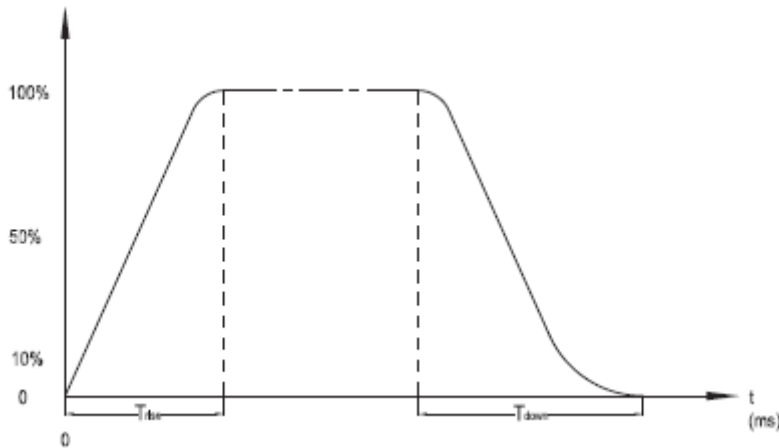
## PHOTOMETRIC CHART



	0.5m	1m	2m	3m	4m	5m	Diameter (Meters)	LUX
12°								
WW	0.11	0.22	0.44	0.66	0.88	1.10		
	94800	30700	5970	2640	1514	858		
30°								
WW	0.25	0.50	1.00	1.50	2.00	2.50		
	39600	9760	1346	640	345	209		

## DIMMER CURVE CHART

Dimmer



Ramp Effect	0  255 OS (FadeTime)		0  255 1S (FadeTime)	
	T rise (ms)	Tdown (ms)	T rise (ms)	Tdown (ms)
Standard	0	0	0	0
Stage	780	1100	1540	1660
TV	1180	1520	1860	1940
Architectural	1380	1730	2040	2120
Theatre	1580	1940	2230	2280

## POWER CORD DAISY CHAIN

**With this feature you can connect the fixtures to one another using the PowerCON input and output sockets. The quantity that can be connected is 5 fixtures maximum. After 5 fixtures you will need to use a new power outlet. They must be the same fixtures. DO NOT mix fixtures.**

## FUSE REPLACEMENT

Disconnect the unit from its power source. Remove the power cord from the unit. Once the cord has been removed, the fuse holder is located above the powerCON connection. Use a phillips head screwdriver to remove the fuse holder. Remove the fuse located inside the fuse holder and replace with the new fuse. Install the fuse holder and new fuse and secure it.

## TROUBLE SHOOTING

Listed below are a few common problems the user may encounter, with solutions.

### **Unit not responding to DMX:**

1. Check that the DMX cables are connected properly and are wired correctly (pin 3 is “hot”; on some other DMX devices pin 2 may be ‘hot’). Also, check that all cables are connected to the right connectors; it does matter which way the inputs and outputs are connected.

## CLEANING

Due to fog residue, smoke, and dust cleaning the internal and external optical lenses must be carried out periodically to optimize light output.

1. Use normal glass cleaner and a soft cloth to wipe down the outside casing.
2. Clean the external optics with glass cleaner and a soft cloth every 20 days.
3. Always be sure to dry all parts completely before plugging the unit back in.

Cleaning frequency depends on the environment in which the fixture operates (i.e. smoke, fog residue, dust, dew).

## SPECIFICATIONS

<b>Model:</b>	<b>Encore Profile 1000 WW</b>
<b>Voltage:</b>	100V~240V/50~60Hz
<b>LEDs:</b>	1 x 120W WW COB LED (3200K)
<b>Beam Angle:</b>	12-30 Degrees
<b>Working Position:</b>	Any safe working position
<b>Power Draw:</b>	144W
<b>Power Cord Daisy Chain:</b>	5 Fixtures Max.
<b>Fuse:</b>	3 Amp.
<b>Weight:</b>	19 lbs./ 8.5Kgs.
<b>Dimensions:</b>	22” (L) x 9.75” (W) x 15.25” (H) 560 x 250 x 385mm
<b>Colors:</b>	Warm White
<b>DMX Channels:</b>	3 DMX Modes: 1 Channel Mode, 2 Channel Mode, & 3 Channel Mode

**Auto Sensing Voltage:** This fixture contains an automatic voltage switch, which will auto sense the voltage when it is plugged into the power source.

**Please Note:** Specifications and improvements in the design of this unit and this manual are subject to change without any prior written notice.

Dear Customer,

The European Union has adopted a directive on the restriction / prohibition of the use of hazardous substances. This directive, referred to as ROHS, is a frequently discussed topic in the electronic industry.

It restricts, among other things, six materials: Lead (Pb), Mercury (Hg), hexavalent chromium (CR VI), cadmium (Cd), polybrominated biphenyls as flame retardant (PBB), polybrominated diphenyl, also a flame retardant (PBDE). The directive applies to nearly all electronic and electrical devices whose mode of operation involves electric or electromagnetic fields – in short: each kind of electronics we have around us in our households or at work.

As manufacturers of products of the brands of AMERICAN AUDIO, AMERICAN DJ, ELATION Professional and ACCLAIM Lighting, we are obligated to comply with the RoHS directive. Therefore, as early as two years prior to the directive coming into force, we started our search for alternative environmentally friendly materials and manufacturing processes.

Well before the RoHS directive took effect, all of our products were manufactured meeting the standards of the European Union. With regular audits and material tests we can still assure that the components we use are always RoHS-compliant and that the manufacturing process, as far as the state of technology allows, is environmentally friendly.

The ROHS directive is an important step to the protection of our environment. We, as manufactures, feel obligated to make our contribution in this respect.

## WEEE – Waste of Electrical and Electronic Equipment

Every year thousands of tonnes of electronic components, which are harmful to the environment, end up at the waste disposals around the world. To ensure the best possible disposal or recovery of electronic components, the European Union has adopted the WEEE directive.

The WEEE-system (Waste of Electrical and Electronic Equipment) can be compared with the system of the “Green Spot”, which has been in use for several years. The manufactures have to make their contribution to the utilization of waste at the time they release the product. Money resources obtained by doing so will be applied to develop a common system of waste management. Thereby we can ensure professional and environmentally friendly scraping and recycling program.

As manufactures, we are part of the German system of EAR and we make our contribution towards it.

(Registration in Germany: DE41027552)

That means that products of AMERICAN DJ and AMERICAN AUDIO can be left in the collection points free of charge and they will be used in the recycling program. Products of ELATION Professional, which are used only by professionals, shall be handled by us. Please send Elation products directly to us at the end of their lifetime so that we can professionally dispose of them.

Like the above ROHS, the WEEE directive is an important contribution to the environment protection and we are glad to help to clean the environment with this disposal system.

We are happy to answer any of your inquiries and welcome your suggestions at: [info@americandj.eu](mailto:info@americandj.eu)

A.D.J. Supply Europe B.V.  
Junostraat 2  
6468 EW Kerkrade  
The Netherlands  
[www.americandj.eu](http://www.americandj.eu)