



Assembly instructions for TV trolley  
Maximum TV fixing points up to 800mm X 400mm - Up to 40Kgs

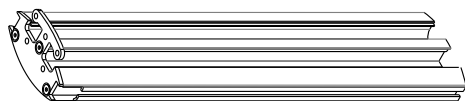
Model No.  
**PMVTROLLEY2**

Factory No.  
**Z3255TRV2**

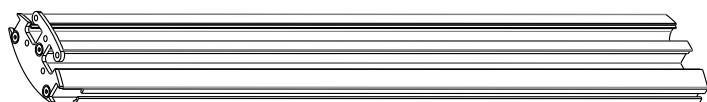
- Read these instructions carefully before assembling this equipment.
- Only use fixings provided with this bracket.
- Do not use if any parts are broken or appear to be damaged.
- Check the equipment has been supplied with all parts and fixtures prior to assembly.
- Do not attempt to alter or modify any part of the equipment or its attachments.
- Assemble in a suitable location.
- Two people will be required for assembly and for installation of the screen on to the equipment.
- Tighten all bolts and fixings securely with appropriately sized tools.
- Do not position the equipment close to sources of heat or moisture.

## Component checklist

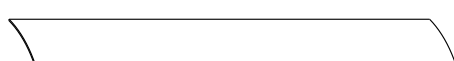
600mm aluminium extrusion assembled with joining plate x1



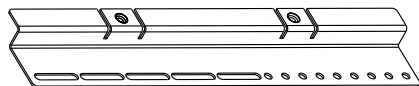
900mm aluminium extrusion assembled with joining plate x1



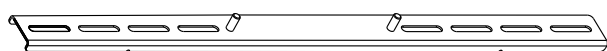
600mm trim inserts x3



Vertical TV mounting arms x2



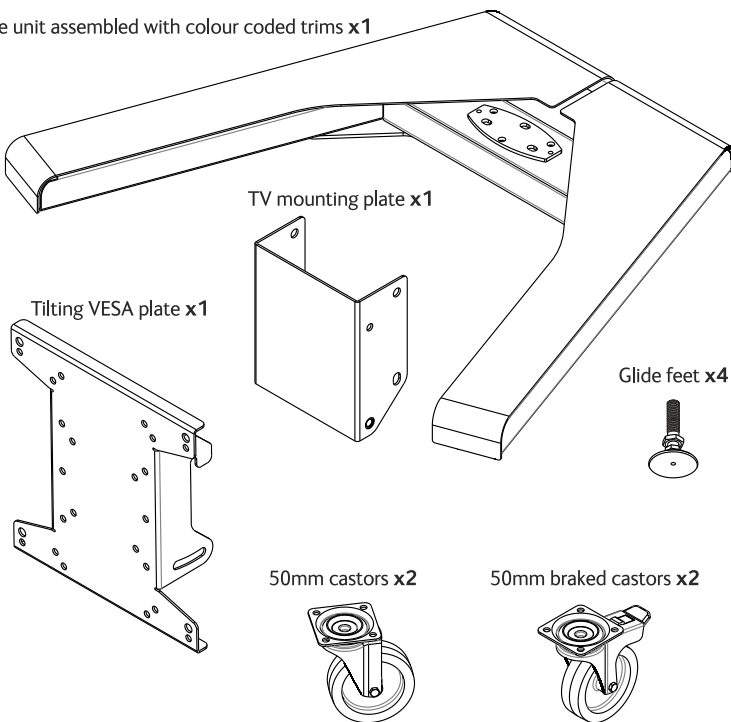
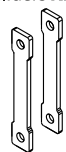
Horizontal TV mounting arms x2



Upright trim x1



TV mounting plate  
sliders x2



## Assembly kit checklist

A - M6 x 12mm **X19**

B - M8 x 65mm **X3**

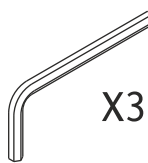
C - M8 washer **X17**

D - M8 x 12mm **X3**

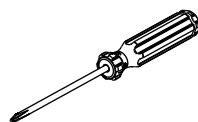
E - M8 x 12mm **X10**

F - M8 nut **X4**

Allen keys included



Also required



## TV Fixing Kit

G - M4 x 20mm  
 H - M5 x 20mm  
 I - M6 x 20mm  
 J - M8 x 20mm **X4**

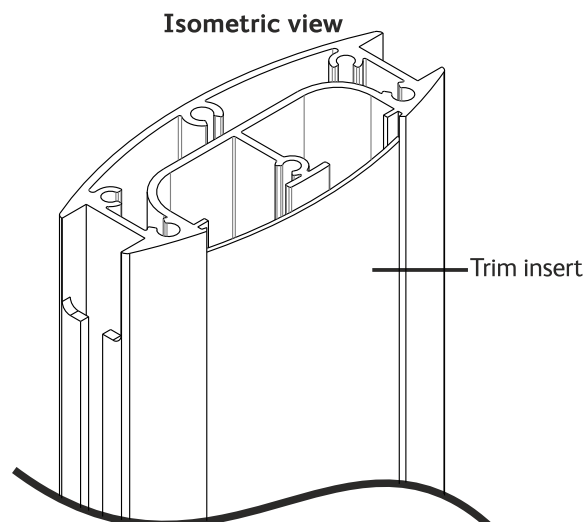
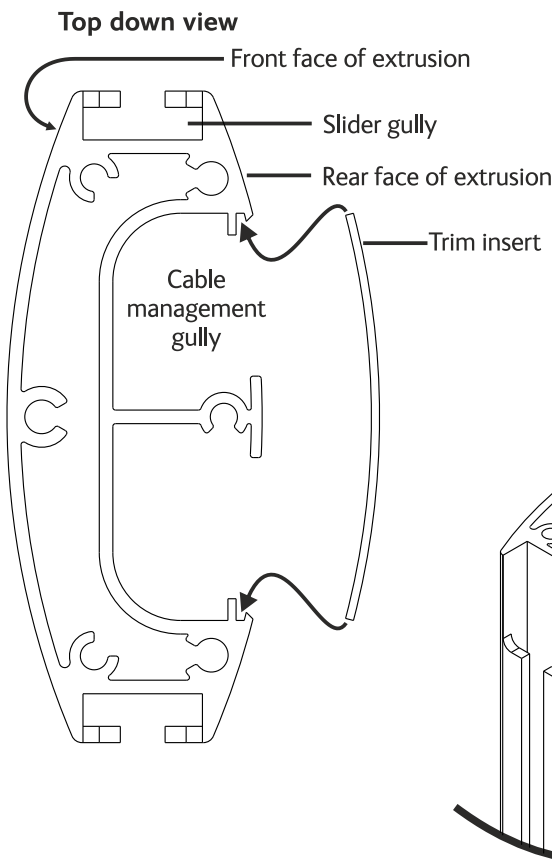
K - M5 washer  
 L - M6 washer  
 M - M8 washer **X4**

N - M4 x 5mm  
 O - M5 x 5mm  
 P - M6 x 6mm  
 Q - M6 x 6mm **X4**

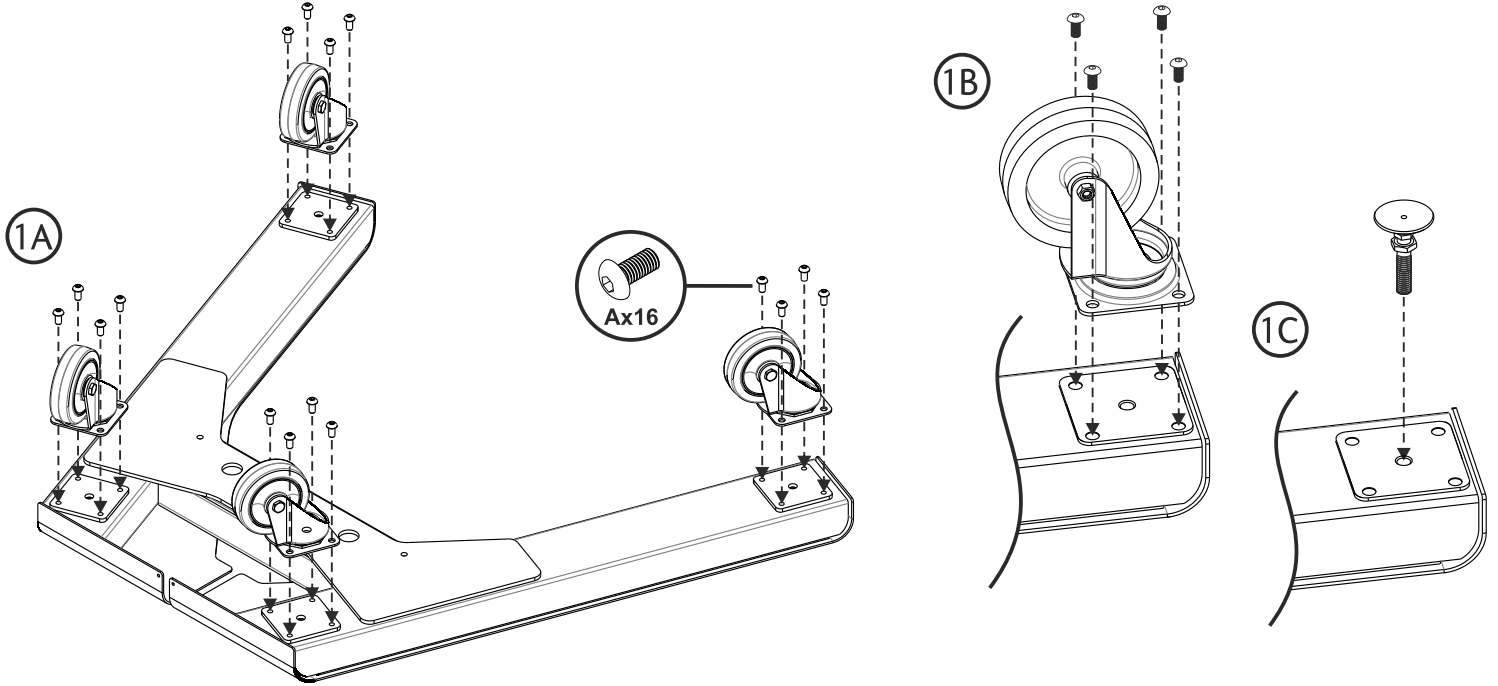
**Cable Management:** Some forward planing may be required regarding the cable routing of your trolley and installation. All plug or socket types may not pass through the gully post assembly and may need to be tucked in to position during the assembly of the base and uprights.

**Trim inserts:** Trim inserts will need to be cut to size with sharp scissors. Trim inserts can be inserted via an open end of the extrusion, this will need to be carried out during assembly of the stand. Or the trim inserts can be 'popped' in to place post assembly by inserting one side of the trim in to the corresponding groove and pushing the opposing side with your thumbs in to the opposing groove of the extrusion.

**Note:** The trim pieces can be cut with a safety knife to make small entry and exit points for cables.

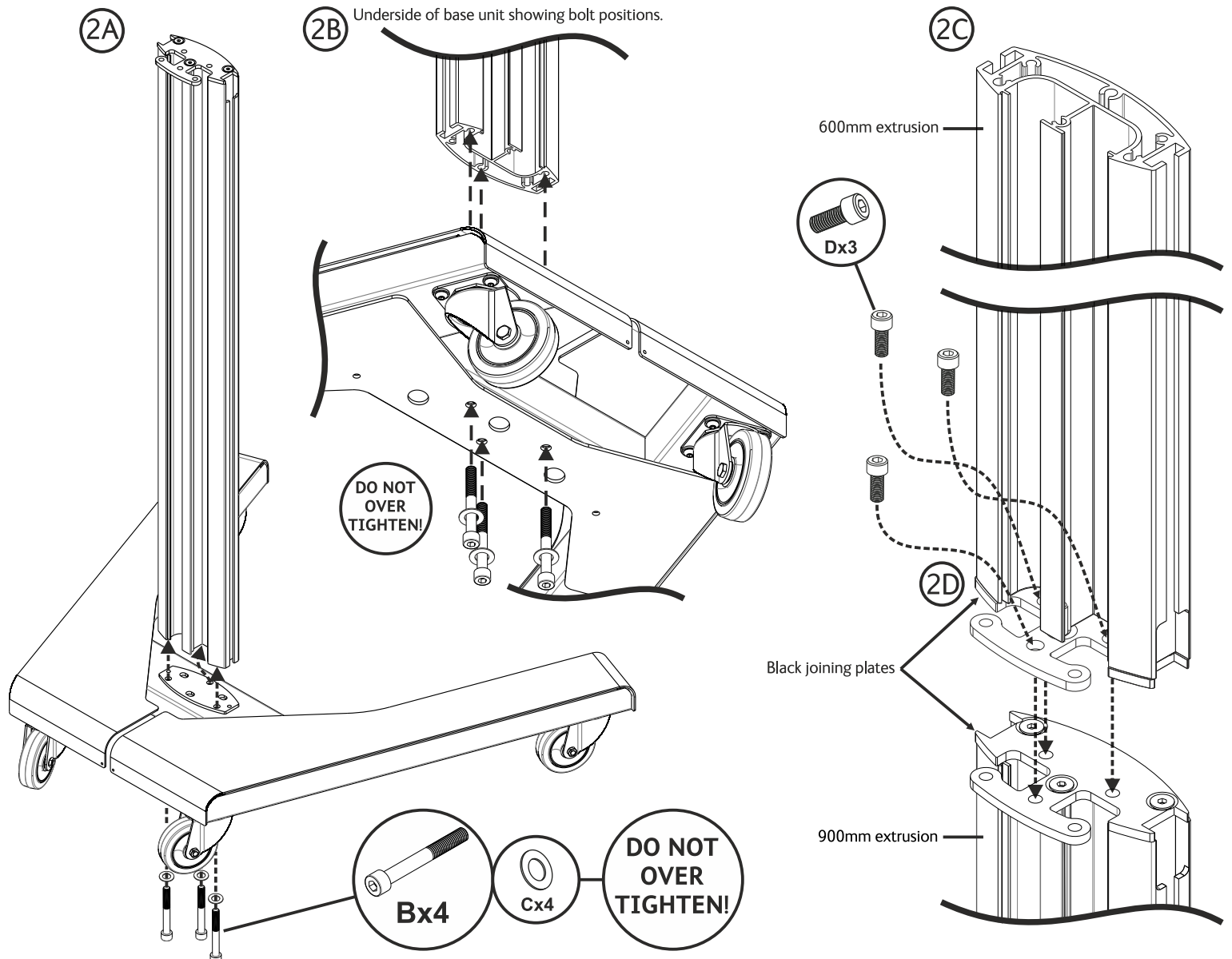


- 1 Attach castors or feet to base unit.** The base comes preassembled with welded mounting plates, welded bracing and bonded aesthetic trim pieces.
1. Carefully turn the base upside down and attach x4 castor or x4 feet to all x4 corners as pictured **Fig 1A**.
  2. Castors install using x4 fixings to each of the x4 welded fixing plates on the underside of the base, position x2 braked castors at the rear of the base **Fig 1B**.
  3. Glide feet install directly into the welded fixing plates in the centre hole, adjust the feet to until the base is level and tighten with the half nut **Fig 1C**.



**2 Position and fasten extrusions to base unit.**

- Both extrusions are preassembled with black joining plates on one end, the extrusions are not handed but need to be assembled with the cable gully facing the rear of the stand.
1. Turn the base over so it is the correct way up. Apply brakes to rear castors, do not stand on the base unit at any time.
  2. Insert the open end of the 900mm extrusion into the base and use x3 fittings to fasten to the base unit **Fig 2A & Fig 2B**
  3. Once the 900mm extrusion is secure in the base add the 600mm extrusion to it in via the black joining plates **Fig 2C**.
  4. Insert x2 bolts inside the cable gully to fasten the 600mm extrusion joining plate to the joining plate at the top of the 900mm extrusion and one, a third bolt is required through the centre hole in the joining plates outside of the extrusions **Fig 2D**.



# 3

## Assemble TV mounting plate.

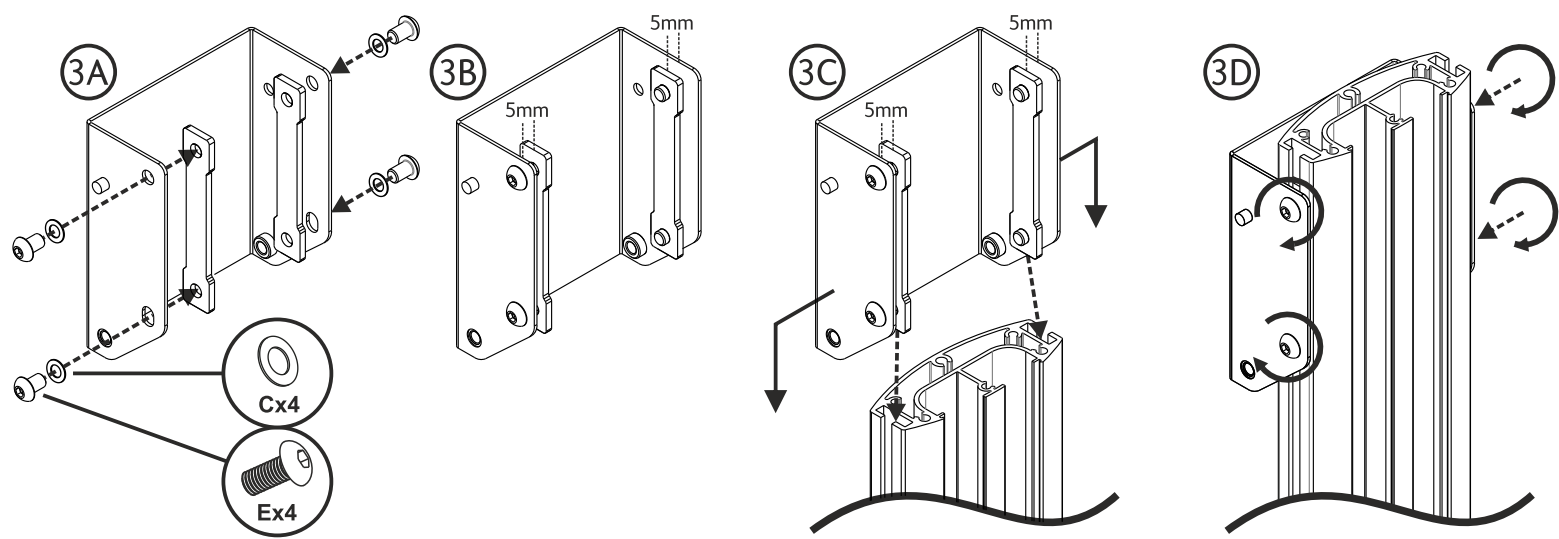
The sliders come with a soft pad on the back edge which help to hold the slider in position within the slider gully, however it must be held at all times until fully tightened.

**3A** Install the mounting plate sliders inside the TV mounting plate using x4 bolts with washers **Fig 3A**

**3B** Leave a gap of 5mm between each slider and the TV mounting plate **Fig 3B**.

**3C** Position the TV mounting plate over the extrusion, guide the slider plates into the slider gullies as you lower the TV mounting plate **Fig 3C**.

**3D** Lower the TV mounting plate to the desired position and fully tighten all x4 fixing bolts in a diagonal pattern. The height of the screen can be adjusted later if desired **Fig 3D**.

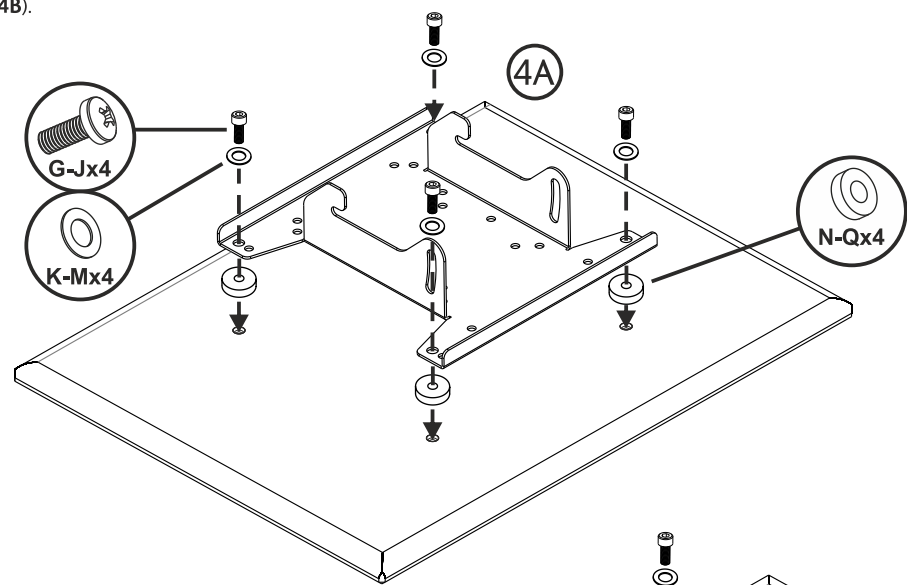


# 4

**4A** For screens with a VESA pattern of 200 x 200 or less only attach the TV tilt plate flat to the screen using the fixings in your TV Fixing Kit. Use spacers if required **Fig 4A**.

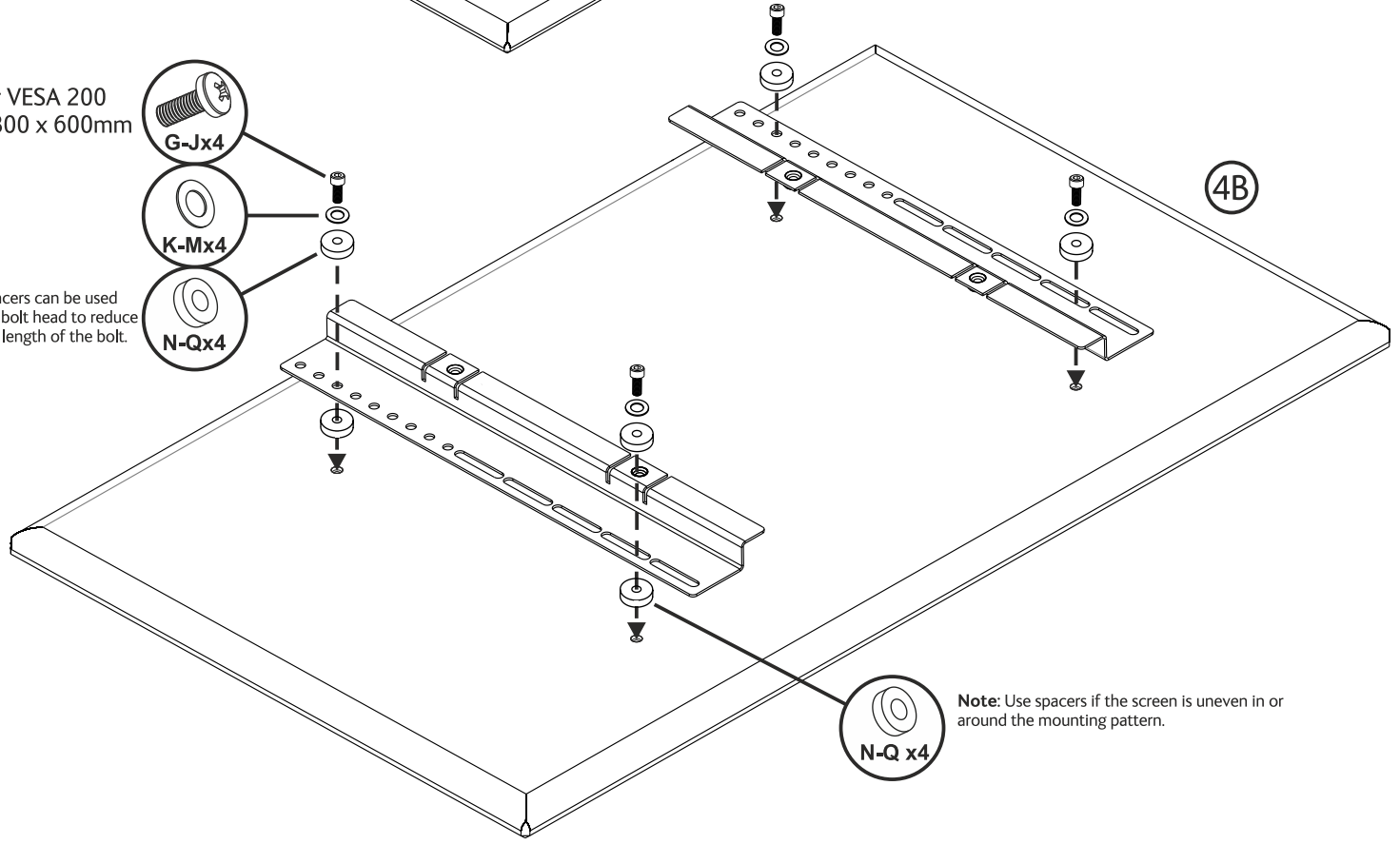
**4B** For screens with a VESA pattern larger than 200 x 200 use the 4-piece universal interface placing it flat to the screen using the fixings in your TV Fixing Kit. Use spacers if required (**Fig 4B**).

Up to VESA  
75, 100, 200



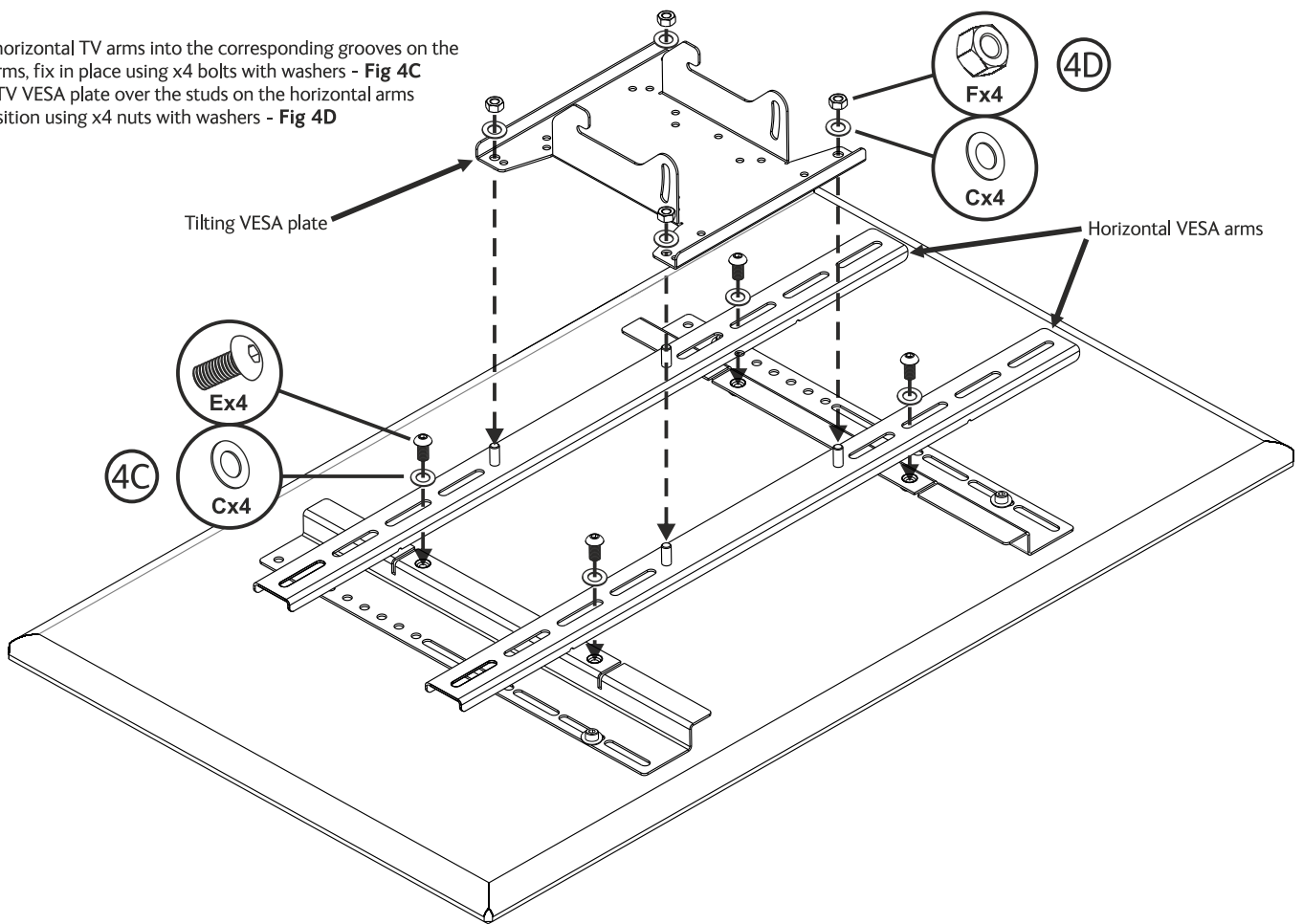
**Note:** Use spacers if the screen is uneven in or around the mounting pattern. Spacers can be used under the bolt head to reduce the effect length of the bolt.

Over VESA 200  
Up to 800 x 600mm

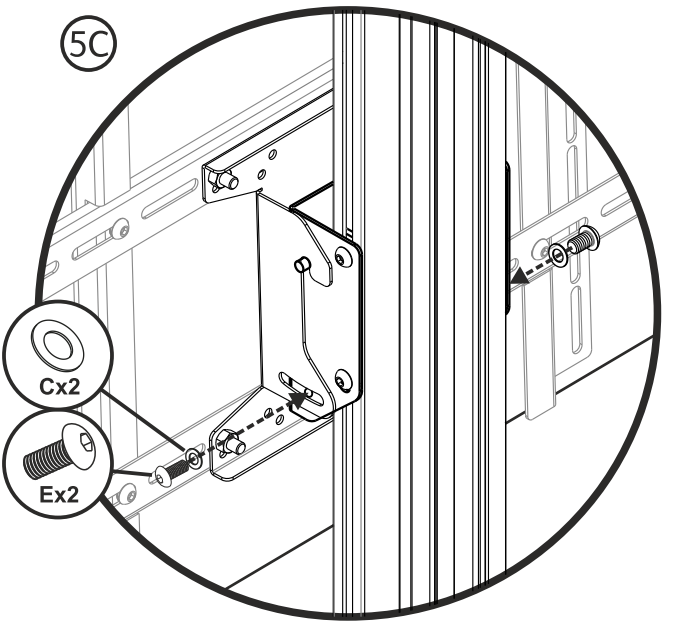
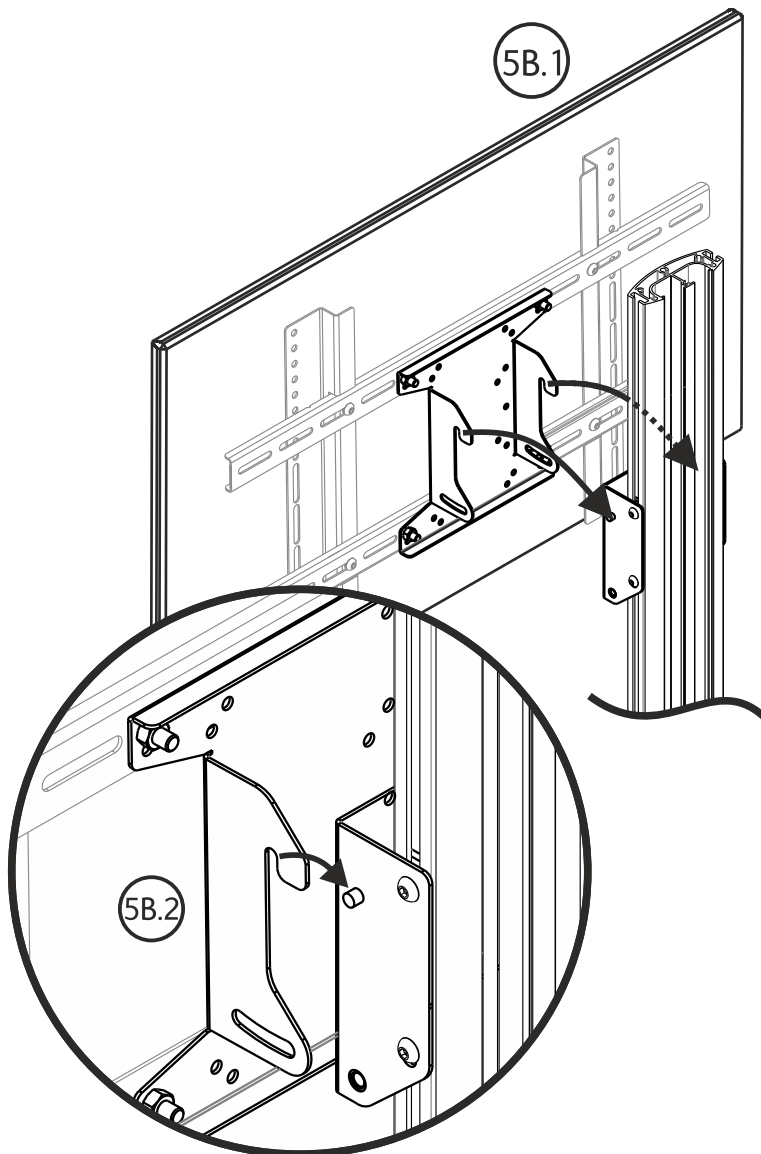


**Note:** Use spacers if the screen is uneven in or around the mounting pattern.

- 4** Continued:  
**4C** Position horizontal TV arms into the corresponding grooves on the vertical TV arms, fix in place using x4 bolts with washers - Fig 4C  
**4D** Position TV VESA plate over the studs on the horizontal arms and fix in position using x4 nuts with washers - Fig 4D



- 5** Mount screen to upright assembly.  
**5A** Insure the TV mounting plate is tightened fully and secured at the desired height as per Article 3 on this instruction sheet.  
**5B** Two persons should lift the screen and TV mount to an adequate height and hook it over the corresponding lugs on the TV mounting plate Fig 5B.1 + Fig 5B.2  
**5C** Fit 2x safety bolts through the VESA plate in to the TV mounting plate on each side and tighten once the screen is at the desired angle Fig 5C.



- 6** Covers and trims  
 Install cable management trim inserts as per notes on front page.  
 Attach top trim using x3 bolts

